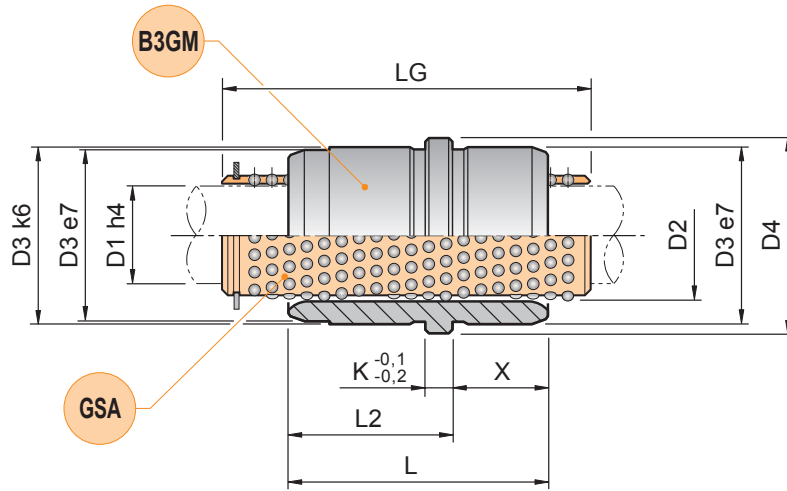


Material - Hardness:
Bush 1.7131 - 61÷63 HRC
Ball 1.3505 - 62÷67 HRC
Brass

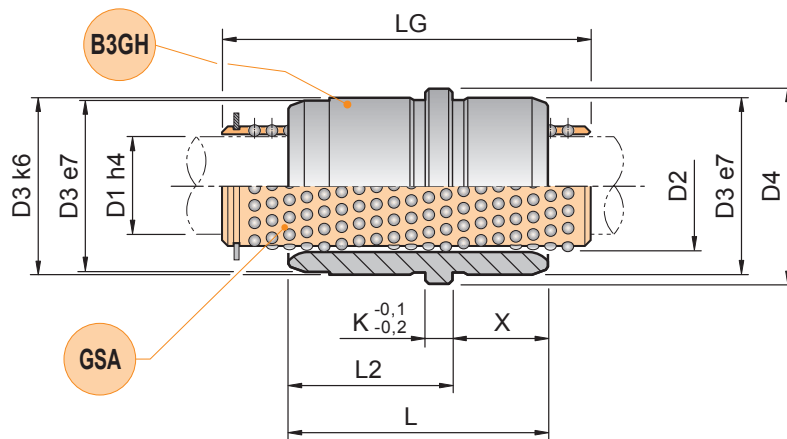


Code	D1	LG	D2	D3	D4	L	L2	X	K
B12M1240	12	40	16	22	25	26	17	9	6
B12M1256		56							
B12M1845	18	45	24	30	33	34	22	12	6
B12M1856		56							
B12M1871		71							
B12M2456	24	56	30	38	41	44	27	17	6
B12M2471		71							
B12M2480		80							
B12M3071	30	71	38	46	49	54	32	22	6
B12M3095		95							
B12M30105		105							

Code	D1	L
B3GM12	12	26
B3GM18	18	34
B3GM24	24	44
B3GM30	30	54

Code	D1	LG
GSA1240	12	40
GSA1256		56
GSA1845	18	45
GSA1856		56
GSA1871		71
GSA2456	24	56
GSA2471		71
GSA2480		80
GSA3071	30	71
GSA3095		95
GSA30105		105

Material - Hardness:
Bush 1.7131 - 61÷63 HRC
Ball 1.3505 - 62÷67 HRC
Brass



Code	D1	LG	D2	D3	D4	L	L2	X	K
B12H1240	12	40	16	22	26	24	18	6	6
B12H1256		56							
B12H1845	18	45	24	30	35	34	23	11	6
B12H1856		56							
B12H1871		71							
B12H3056	30	56	38	46	52	54	33	21	6
B12H3075		75							
B12H3095		95							

Code	D1	L
B3GH12	12	24
B3GH18	18	34
B3GH30	30	54

Code	D1	LG
GSA1240	12	40
GSA1256		56
GSA1845	18	45
GSA1856		56
GSA1871		71
GSA3056	30	56
GSA3075		75
GSA3095		95