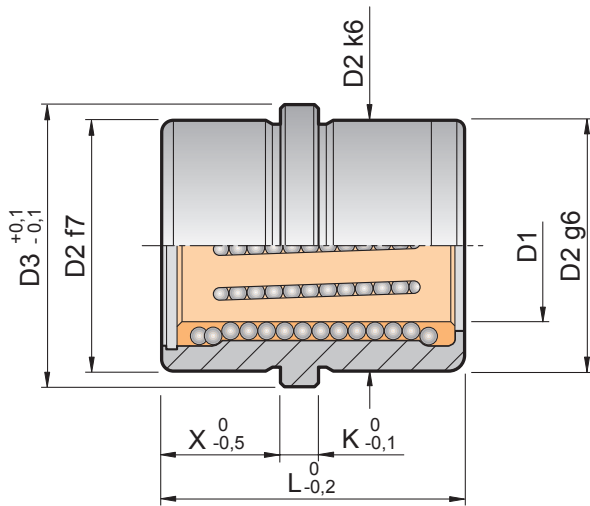


BUSSOLA CON RICIRCOLO SFERE
RECIRCULATING BALL GUIDE BUSH FOR EJECTOR SET
KUGELUMLAUFBUCHSE FÜR AUSWERFERPAKET

BRSA

Material - Hardness: Bush 1.7131 - 60±62 HRC
Ball 1.3505 - 62±67 HRC
Brass

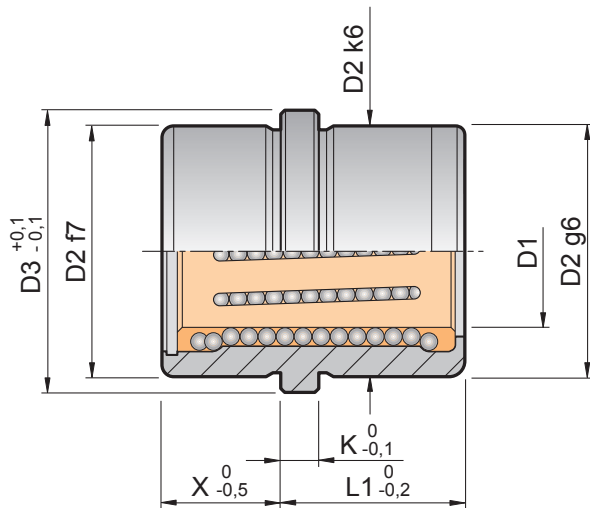


Code	D1	L	D2	D3	K	X		
BRSA1226	12	26	22	26	6	6		
BRSA1835	18	35	30	35	6	11		
BRSA2445	24	45	38	43	6	16		
BRSA3055	30	55	46	52	6	21		

BUSSOLA CON RICIRCOLO SFERE
RECIRCULATING BALL GUIDE BUSH FOR EJECTOR SET
KUGELUMLAUFBUCHSE FÜR AUSWERFERPAKET

BRSB

Material - Hardness: Bush 1.7131 - 60±62 HRC
Ball 1.3505 - 62±67 HRC
Brass

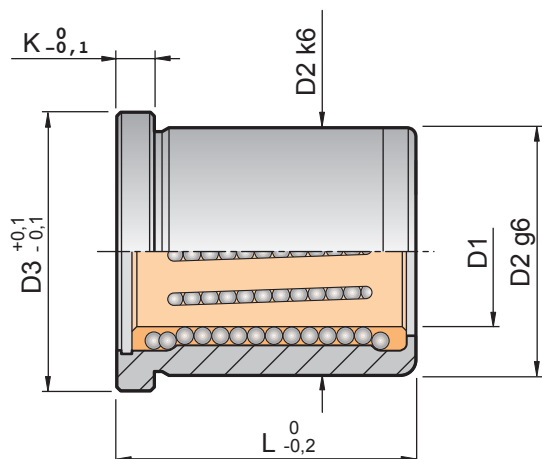


Code	D1	L1	D2	D3	K	X		
BRSB1222	12	22	24	28	6	8		
BRSB1622	16	22	28	32	6	8		
BRSB1626	16	26	28	32	6	9		
BRSB2026	20	26	32	36	6	9		
BRSB2035	20	35	32	36	6	9		
BRSB2526	25	26	40	45	6	9		
BRSB2535	25	35	40	45	6	10		
BRSB2545	25	45	40	45	6	10		
BRSB2555	25	55	40	45	6	10		
BRSB3245	32	45	50	56	8	12		
BRSB3263	32	63	50	56	8	12		
BRSB4045	40	45	60	66	8	12		
BRSB4063	40	63	60	66	8	12		
BRSB5055	50	55	70	76	10	25		
BRSB6055	60	55	85	91	10	25		

BUSSOLA CON RICIRCOLO SFERE
RECIRCULATING BALL GUIDE BUSH FOR EJECTOR SET
KUGELUMLAUFBUCHSE

BRSC

Material - Hardness: Bush 1.7131 - 60±62 HRC
Ball 1.3505 - 62±67 HRC
Brass



Code	D1	L	D2	D3	K		
BRSC2035	20	35	32	36	6		
BRSC2535	25	35	40	45	6		
BRSC2545	25	45	40	45	6		
BRSC2555	25	55	40	45	6		
BRSC3245	32	45	50	56	8		
BRSC3263	32	63	50	56	8		
BRSC4045	40	45	60	66	8		
BRSC4063	40	63	60	66	8		