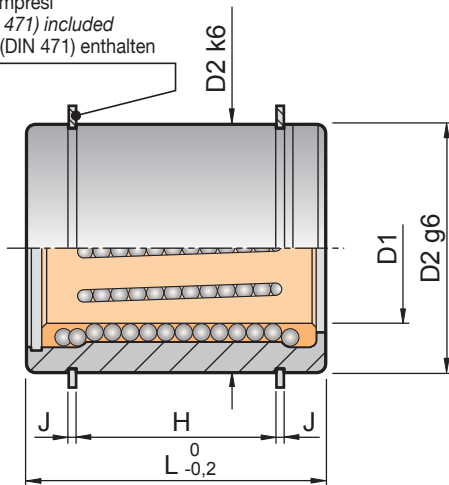


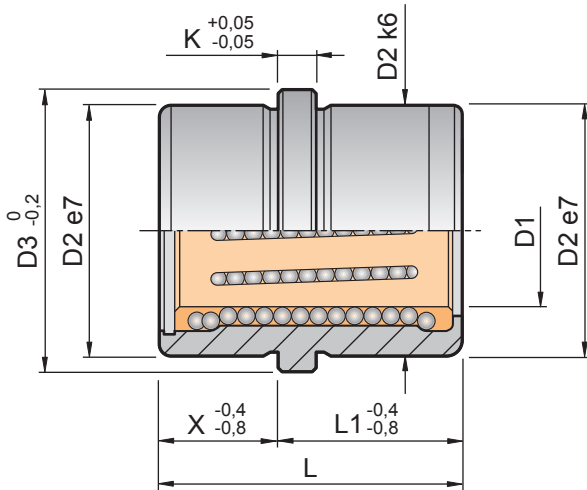
Material - Hardness: Bush 1.7131 - 60÷62 HRC  
Ball 1.3505 - 62÷67 HRC  
Brass

SEEGER (DIN 471) compresi  
CIRCLIP GROVE (DIN 471) included  
SICHERUNGSRINGE (DIN 471) enthalten



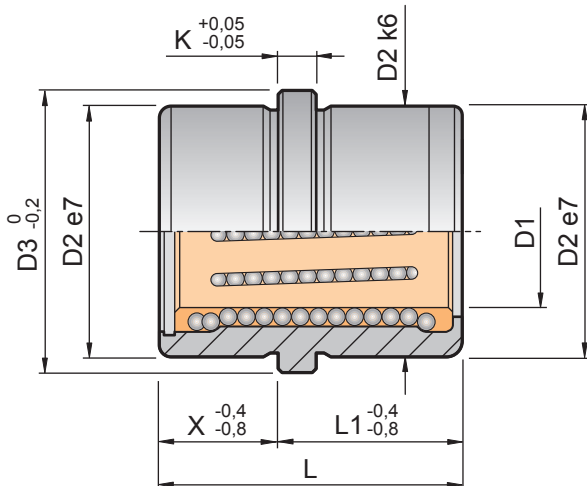
Code	D1	L	D2	H	J		
BRSD1230	12	30	24	20	1,3		
BRSD1630	16	30	28	19	1,6		
BRSD1635	16	35	28	24	1,6		
BRSD2035	20	35	32	24	1,6		
BRSD2045	20	45	32	34	1,6		
BRSD2535	25	35	40	23	1,8		
BRSD2545	25	45	40	33	1,8		
BRSD2555	25	55	40	43	1,8		
BRSD3245	32	45	50	33	2,1		
BRSD3263	32	63	50	51	2,1		
BRSD4045	40	45	60	33	2,1		
BRSD4063	40	63	60	51	2,1		

Material - Hardness: Bush 1.7131 - 60÷62 HRC  
Ball 1.3505 - 62÷67 HRC  
Brass



Code	D1	L1	L	D2	D3	K	X		
BRSH1217	12	17	26	24	28	6	9		
BRSH1822	18	22	39	32	36	6	17		
BRSH2417	24	17	29	39	43	6	12		
BRSH3022	30	22	39	50	54	6	17		

Material - Hardness: Bush 1.7131 - 60÷62 HRC  
Ball 1.3505 - 62÷67 HRC  
Brass



Code	D1	L	L1	D2	D3	K	X		
BRSM1226	12	26	17	22	25	6	9		
BRSM1229	12	29	17	22	25	6	12		
BRSM1834	18	34	22	30	33	6	12		
BRSM1839	18	39	22	30	33	6	17		
BRSM2444	24	44	27	38	41	6	17		
BRSM2449	24	49	27	38	41	6	22		
BRSM3054	30	54	32	46	49	6	22		
BRSM3063	30	63	36	46	49	6	27		