

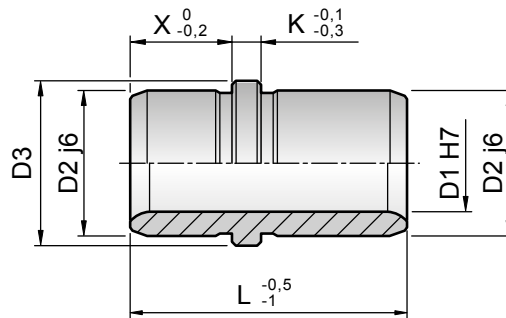
B3

EJECTOR GUIDE BUSH

FÜHRUNGSBUCHSE FÜR AUSWERFERPAKET | BUSSOLA SPALLATA



Material: 1.7131 Hardness: 61+63 HRC Execution: inner and outer diameter fine ground	STOCK		HOW TO ORDER B3 * D1 * L (B31232) B3 * D1 * D2 * L (only for D1 20-25)
--	-------	---	--



D1	D2	D3	K	X	L						
					32	40	50	65	70	80	90
12	18	22	5	16	•	•					
14	20	24			•	•					
16	22	26			•	•					
18	26	30			•	•					
20	28	32	6		•	•					
	30	34			•	•					
25	34	38	7		•	•					
	36	40			•	•					
32	40	45		25			•	•			
40	48	52	8	32				•		•	
50	60	65	10						•		•