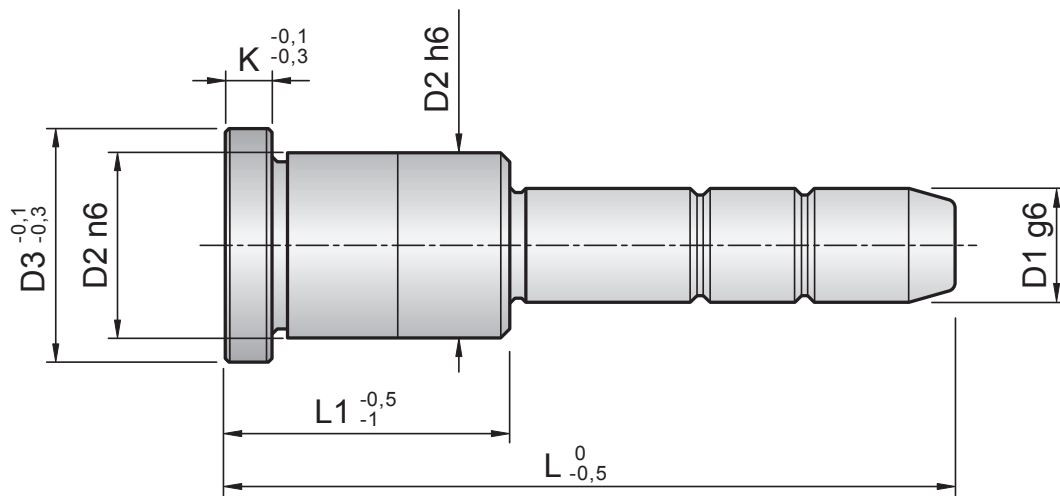


Code	D1	L1	L	D2	D3	K	Code	D1	L1	L	D2	D3	K
C1122250	12	22	50	18	22	5	C11426100	14	26	100	20	24	5
C1122260			60				C11426120			120			
C1122270			70				C1143670	14	36	70	20	24	5
C1122280			80				C1143680			80			
C1122290			90				C1143690			90			
C11222100			100				C11436100			100			
C1122650	12	26	50	18	22	5	C11436120			120			
C1122660			60				C1144670	14	46	70	20	24	5
C1122670			70				C1144680			80			
C1122680			80				C1144690			90			
C1122690			90				C11446100			100			
C11226100			100				C11446120			120			
C1123650	12	36	50	18	22	5	C1145690	14	56	90	20	24	5
C1123660			60				C11456100			100			
C1123670			70				C11456120			120			
C1123680			80				C1162250	16	22	50	22	26	5
C1123690			90				C1162260			60			
C11236100			100				C1162270			70			
C11236120			120				C1162280			80			
C1124670	12	46	70	18	22	5	C1162290			90			
C1124680			80				C11622100			100			
C1124690			90				C11622120			120			
C11246100			100				C1162650	16	26	50	22	26	5
C11246120			120				C1162660			60			
C1125690	12	56	90	18	22	5	C1162670			70			
C11256100			100				C1162680			80			
C11256120			120				C1162690			90			
C1142250	14	22	50	20	24	5	C11626100			100			
C1142260			60				C11626120			120			
C1142270			70				C11626140			140			
C1142280			80				C1163660	16	36	60	22	26	5
C1142290			90				C1163670			70			
C11422100			100				C1163680			80			
C1142660	14	26	60	20	24	5	C1163690			90			
C1142670			70				C11636100			100			
C1142680			80				C11636120			120			
C1142690			90				C11636140			140			

Code	D1	L1	L	D2	D3	K
C1164670	16	46	70	22	26	5
C1164680			80			
C1164690			90			
C11646100			100			
C11646120			120			
C11646140			140			
C11646160			160			
C1165680	16	56	80	22	26	5
C1165690			90			
C11656100			100			
C11656120			120			
C11656140			140			
C11656160			160			
C11656180			180			
C11656200			200			
C11666100	16	66	100	22	26	5
C11666120			120			
C11666140			140			
C11666160			160			
C11666180			180			
C11666200			200			
C11676100	16	76	100	22	26	5
C11676120			120			
C11676140			140			
C11676160			160			
C11676180			180			
C11676200			200			
C11696140	16	96	140	22	26	5
C11696160			160			
C11696180			180			
C11696200			200			
C1182660	18	26	60	26	30	5
C1182670			70			
C1182680			80			
C1182690			90			
C11826100			100			
C1183660	18	36	60	26	30	5
C1183670			70			
C1183680			80			
C1183690			90			
C11836100			100			
C11836120			120			
C11836140			140			
C1184670	18	46	70	26	30	5
C1184680			80			
C1184690			90			
C11846100			100			
C11846120			120			
C11846140			140			
C11846160			160			
C1185680	18	56	80	26	30	5
C1185690			90			
C11856100			100			
C11856120			120			
C11856140			140			
C11856160			160			

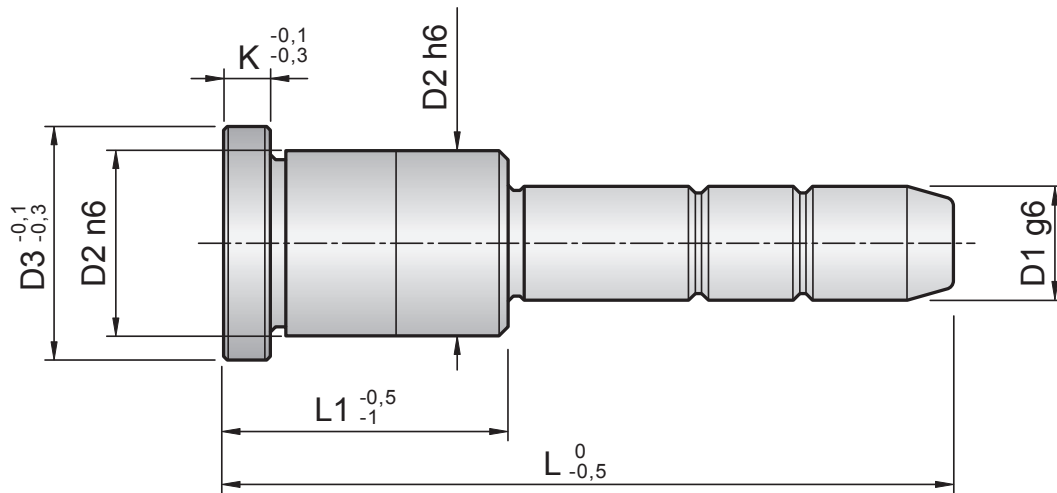
Code	D1	L1	L	D2	D3	K
C11856180	18	56	180	26	30	5
C11866100	18	66	100	26	30	5
C11866120			120			
C11866140			140			
C11866160			160			
C11866180			180			
C11876120	18	76	120	26	30	5
C11876140			140			
C11876160			160			
C11876180			180			
C120282660	20	26	60	28	32	6
C120282670			70			
C120282680			80			
C120282690			90			
C1202826100			100			
C1202826120			120			
C1202826140			140			
C120283660	20	36	60	28	32	6
C120283670			70			
C120283680			80			
C120283690			90			
C1202836100			100			
C1202836120			120			
C1202836140			140			
C1202836160			160			
C120284670	20	46	70	28	32	6
C120284680			80			
C120284690			90			
C1202846100			100			
C1202846120			120			
C1202846140			140			
C1202846160			160			
C120285680	20	56	80	28	32	6
C120285690			90			
C1202856100			100			
C1202856120			120			
C1202856140			140			
C1202856160			160			
C1202856180			180			
C1202856200			200			
C1202866100	20	66	100	28	32	6
C1202866120			120			
C1202866140			140			
C1202866160			160			
C1202866180			180			
C1202866200			200			
C1202876120	20	76	120	28	32	6
C1202876140			140			
C1202876160			160			
C1202876180			180			
C1202876200			200			
C1202886140	20	86	140	28	32	6
C1202886160			160			
C1202886180			180			
C1202886200			200			
C1202896140	20	96	140	28	32	6



Code	D1	L1	L	D2	D3	K	Code	D1	L1	L	D2	D3	K										
C1202896160	20	96	160	28	32	6	C1203066180	20	66	180	30	34	6										
C1202896180			180				C1203066200			200													
C1202896200			200				C1203076120			120													
C120302660	20	26	60	30	34	6	C1203076140	20	76	140	30	34	6										
C120302670			70				C1203076160			160													
C120302680			80				C1203076180			180													
C120302690			90				C1203076200			200													
C1203026100			100				C1203086140			140													
C1203026120			120				C1203086160			160													
C1203026140			140				C1203086180			180													
C120303660			20				36			60				30	34	6	C1203086200	20	86	140	30	34	6
C120303670										70							C1203096140			140			
C120303680										80							C1203096160			160			
C120303690	90	C1203096180		180																			
C1203036100	100	C1203096200		200																			
C1203036120	120	C125342680		80																			
C1203036140	140	C125342690		90																			
C1203036160	160	C1253426100		100																			
C120304670	20	46		70	30	34		6	C125343680	25	36	80	34				38			7			
C120304680				80					C125343690			90											
C120304690			90	C1253436100			100																
C1203046100			100	C1253436120			120																
C1203046120			120	C1253436140			140																
C1203046140			140	C1253436160			160																
C1203046160			160	C1253436180			180																
C120305680			20	56			80		30			34		6	C125344690	25		46	90		34	38	7
C120305690							90								C1253446100				100				
C1203056100							100								C1253446120				120				
C1203056120	120	C1253446140			140																		
C1203056140	140	C1253446160			160																		
C1203056160	160	C1253446180			180																		
C1203056180	180	C1253446200			200																		
C1203056200	200	C1253456100			100																		
C1203066100	20	66			100	30	34	6		C1253456120	25		56		120		34		38	7			
C1203066120					120					C1253456140					140								
C1203066140			140	C1253456160	160																		
C1203066160			160	C1253456180	180																		

Code	D1	L1	L	D2	D3	K					
C1253456200	25	56	200	34	38	7					
C1253456220			220								
C1253456240			240								
C1253466120	25	66	120	34	38	7					
C1253466140			140								
C1253466160			160								
C1253466180			180								
C1253466200			200								
C1253466220			220								
C1253466240			240								
C1253466260			260								
C1253466280			280								
C1253476120			25				76	120	34	38	7
C1253476140								140			
C1253476160	160										
C1253476180	180										
C1253476200	200										
C1253476220	220										
C1253476240	240										
C1253476260	260										
C1253476280	280										
C1253486140	25	86		140	34	38		7			
C1253486160				160							
C1253486180			180								
C1253486200			200								
C1253486220			220								
C1253486240			240								
C1253486260			260								
C1253486280			280								
C1253496140	25	96	140	34	38	7					
C1253496160			160								
C1253496180			180								
C1253496200			200								
C1253496220			220								
C1253496240			240								
C1253496260			260								
C1253496280			280								
C12534116160	25	116	160	34	38	7					
C12534116180			180								
C12534116200			200								
C12534116220			220								
C12534116240			240								
C12534116260			260								
C12534116280			280								
C125362680	25	26	80	36	40	7					
C125362690			90								
C1253626100			100								
C125363680	25	36	80	36	40	7					
C125363690			90								
C1253636100			100								
C1253636120			120								
C1253636140			140								
C1253636160			160								
C1253636180			180								
C125364690			25				46	90	36	40	7
C1253646100	100										

Code	D1	L1	L	D2	D3	K					
C1253646120	25	46	120	36	40	7					
C1253646140			140								
C1253646160			160								
C1253646180			180								
C1253646200	25	56	200	36	40	7					
C1253656100			100								
C1253656120			120								
C1253656140			140								
C1253656160			160								
C1253656180			180								
C1253656200			200								
C1253656220			220								
C1253656240			240								
C1253666120			25				66	120	36	40	7
C1253666140								140			
C1253666160	160										
C1253666180	180										
C1253666200	200										
C1253666220	220										
C1253666240	240										
C1253666260	260										
C1253666280	280										
C1253676120	25	76		120	36	40		7			
C1253676140				140							
C1253676160			160								
C1253676180			180								
C1253676200			200								
C1253676220			220								
C1253676240			240								
C1253676260			260								
C1253676280			280								
C1253686140			25	86			140		36	40	7
C1253686160							160				
C1253686180	180										
C1253686200	200										
C1253686220	220										
C1253686240	240										
C1253686260	260										
C1253686280	280										
C1253696140	25	96	140	36	40	7					
C1253696160			160								
C1253696180			180								
C1253696200			200								
C1253696220			220								
C1253696240			240								
C1253696260			260								
C1253696280			280								
C12536116160	25	116	160	36	40	7					
C12536116180			180								
C12536116200			200								
C12536116220			220								
C12536116240			240								
C12536116260			260								
C12536116280			280								
C13236100			32				36	100	40	45	7
C13236120	120										



Code	D1	L1	L	D2	D3	K	Code	D1	L1	L	D2	D3	K
C13246100	32	46	100	40	45	7	C13296180	32	96	180	40	45	7
C13246120			120				C13296200			200			
C13246140			140				C13296220			220			
C13246160			160				C13296240			240			
C13256100	32	56	100	40	45	7	C13296260			260			
C13256120			120				C13296280			280			
C13256140			140				C13296300			300			
C13256160			160				C13296340			340			
C13256180			180				C132106160	32	106	160	40	45	7
C13256200			200				C132106180			180			
C13256220			220				C132106200			200			
C13256240			240				C132106220			220			
C13266120	32	66	120	40	45	7	C132106240			240			
C13266140			140				C132106260			260			
C13266160			160				C132106280			280			
C13266180			180				C132106300			300			
C13266200			200				C132106340			340			
C13266220			220				C132116160	32	116	160	40	45	7
C13266240			240				C132116180			180			
C13266260			260				C132116200			200			
C13266280			280				C132116220			220			
C13276140	32	76	140	40	45	7	C132116240			240			
C13276160			160				C132116260			260			
C13276180			180				C132116280			280			
C13276200			200				C132116300			300			
C13276220			220				C132116340			340			
C13276240			240				C132116400			400			
C13276260			260				C132126180	32	126	180	40	45	7
C13276280			280				C132126200			200			
C13286160	32	86	160	40	45	7	C132126220			220			
C13286180			180				C132126240			240			
C13286200			200				C132126260			260			
C13286220			220				C132126280			280			
C13286240			240				C132126300			300			
C13286260			260				C132126340			340			
C13286280			280				C132126400			400			
C13296160	32	96	160	40	45	7	C132146200	32	146	200	40	45	7

Material: 1.7131 - Hardness: 61-63 HRC

Code	D1	L1	L	D2	D3	K	Code	D1	L1	L	D2	D3	K
C132146220	32	146	220	40	45	7	C140116240	40	116	240	48	52	8
C132146240			240				C140116260			260			
C132146260			260				C140116280			280			
C132146280			280				C140116300			300			
C132146300			300				C140116340			340			
C132146340			340				C140116400			400			
C132146400			400				C140126180	40	126	180	48	52	8
C14046120	40	46	120	48	52	8	C140126200			200			
C14046140			140				C140126220			220			
C14046160			160				C140126240			240			
C14046180			180				C140126260			260			
C14046200			200				C140126280			280			
C14056120	40	56	120	48	52	8	C140126300			300			
C14056140			140				C140126340			340			
C14056160			160				C140126400			400			
C14056180			180				C140146240	40	146	240	48	52	8
C14056200			200				C140146260			260			
C14056220			220				C140146280			280			
C14066160	40	66	160	48	52	8	C140146300			300			
C14066180			180				C140146340			340			
C14066200			200				C140146400			400			
C14066220			220				C15096180	50	96	180	60	65	10
C14066240			240				C15096200			200			
C14076160	40	76	160	48	52	8	C15096220			220			
C14076180			180				C15096240			240			
C14076200			200				C15096260			260			
C14076220			220				C15096280			280			
C14076240			240				C15096300			300			
C14076260			260				C15096340			340			
C14086160	40	86	160	48	52	8	C150126220	50	126	220	60	65	10
C14086180			180				C150126240			240			
C14086200			200				C150126260			260			
C14086220			220				C150126280			280			
C14086240			240				C150126300			300			
C14086260			260				C150126340			340			
C14086280			280				C150126400			400			
C14096160	40	96	160	48	52	8	C150146240	50	146	240	60	65	10
C14096180			180				C150146260			260			
C14096200			200				C150146280			280			
C14096220			220				C150146300			300			
C14096240			240				C150146340			340			
C14096260			260				C150146400			400			
C14096280			280										
C14096300			300										
C14096340			340										
C140106180	40	106	180	48	52	8							
C140106200			200										
C140106220			220										
C140106240			240										
C140106260			260										
C140106280			280										
C140106300			300										
C140106340			340										
C140116180	40	116	180	48	52	8							
C140116200			200										
C140116220			220										