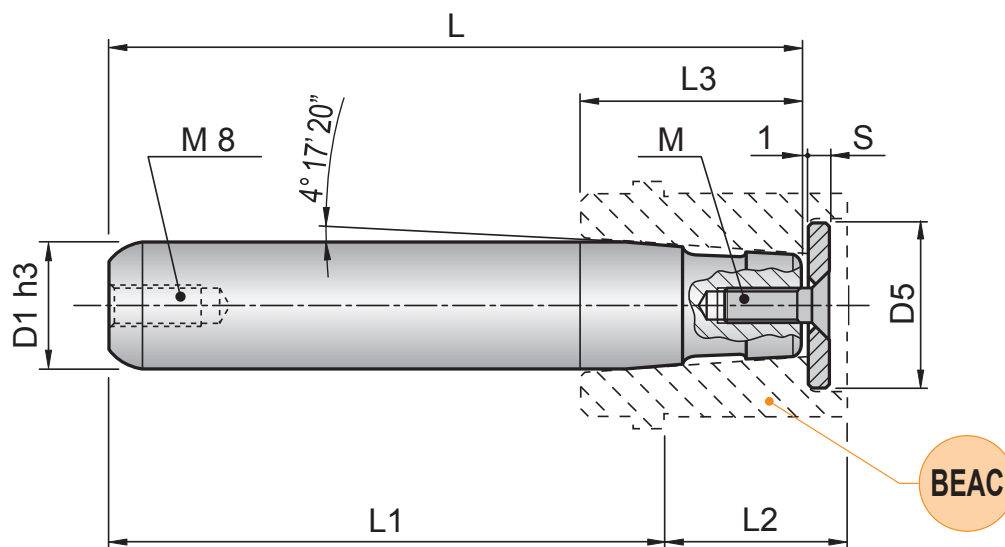


DIN 9825 / ISO 9182-4

Material: 1.7131 - Hardness: 61-63 HRC



Code	D1	Code	D1	L1	L3	L	M	S	D5
C5A24100	24	C5A25100	25	100	35	123	M 8x20	3	25
C5A24112		C5A25112		112		135			
C5A24125		C5A25125		125		148			
C5A24140		C5A25140		140		163			
C5A24160		C5A25160		160		183			
C5A24180		C5A25180		180		203			
C5A24200		C5A25200		200		223			
C5A24224		C5A25224		224		247			
C5A24250		C5A25250		250		273			
C5A30112	30	C5A32112	32	112	48	145	M 8x20	3	32
C5A30125		C5A32125		125		158			
C5A30140		C5A32140		140		173			
C5A30160		C5A32160		160		193			
C5A30180		C5A32180		180		213			
C5A30200		C5A32200		200		233			
C5A30224		C5A32224		224		257			
C5A30250		C5A32250		250		283			
C5A30280		C5A32280		280		313			
C5A38125	38	C5A40125	40	125	48	158	M 8x20	5	40
C5A38140		C5A40140		140		173			
C5A38160		C5A40160		160		193			
C5A38180		C5A40180		180		213			
C5A38200		C5A40200		200		233			
C5A38224		C5A40224		224		257			
C5A38250		C5A40250		250		283			
C5A38280		C5A40280		280		313			
C5A38315		C5A40315		315		348			

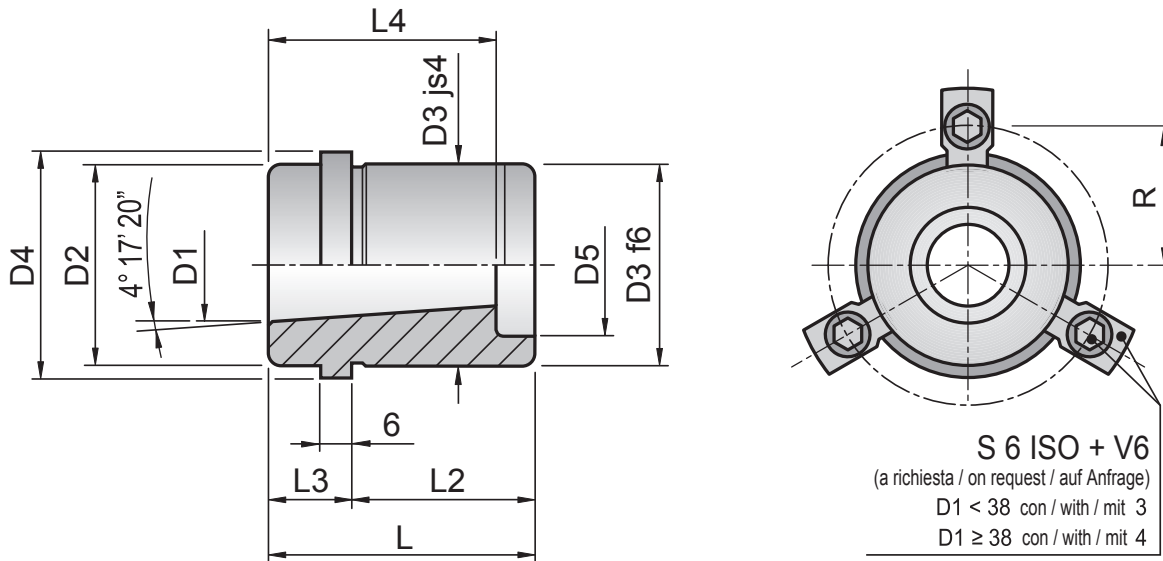
DIN 9825 / ISO 9182-4

Material: 1.7131 - Hardness: 61÷63 HRC

Code	D1	Code	D1	L1	L3	L	M	S	D5						
C5A48140	48	C5A50140	50	140	58	180	M 10x20	5	50						
C5A48160		C5A50160		160		200									
C5A48180		C5A50180		180		220									
C5A48200		C5A50200		200		240									
C5A48224		C5A50224		224		264									
C5A48250		C5A50250		250		290									
C5A48280		C5A50280		280		320									
C5A48315		C5A50315		315		355									
C5A48355		C5A50355		355		395									
C5A60160		60		C5A63160		63				160	69	211	M 12x30	6	63
C5A60180				C5A63180						180		231			
C5A60200				C5A63200						200		251			
C5A60224	C5A63224		224	275											
C5A60250	C5A63250		250	301											
C5A60280	C5A63280		280	331											
C5A60315	C5A63315		315	366											
C5A60355	C5A63355		355	406											

DIN 9825 / ISO 9182-4

Material: 1.7131 - Hardness: 61÷63 HRC



Code	D1	L	D2	D3	D4	D5	R	L2	L3	L4
BEAC2437	24	49	40	40	48	26	30	37	12	36
BEAC2447	24	59	40	40	48	26	30	47	12	36
BEAC2537	25	49	40	40	48	26	30	37	12	36
BEAC2547	25	59	40	40	48	26	30	47	12	36
BEAC3037	30	52	48	48	56	33	33,5	37	15	49
BEAC3047	30	62	48	48	56	33	33,5	47	15	49
BEAC3237	32	52	48	48	56	33	33,5	37	15	49
BEAC3247	32	62	48	48	56	33	33,5	47	15	49
BEAC3847	38	62	58	58	66	41	38,5	47	15	49
BEAC3860	38	75	58	58	66	41	38,5	60	15	49

Code	D1	L	D2	D3	D4	D5	R	L2	L3	L4
BEAC4047	40	62	58	58	66	41	38,5	47	15	49
BEAC4060	40	75	58	58	66	41	38,5	60	15	49
BEAC4847	48	65	70	70	80	51	45,5	47	18	59
BEAC4860	48	78	70	70	80	51	45,5	60	18	59
BEAC5047	50	65	70	70	80	51	45,5	47	18	59
BEAC5060	50	78	70	70	80	51	45,5	60	18	59
BEAC6060	60	78	85	85	95	64	53	60	18	70
BEAC6077	60	95	85	85	95	64	53	77	18	70
BEAC6360	63	78	85	85	95	64	53	60	18	70
BEAC6377	63	95	85	85	95	64	53	77	18	70

Staffette e viti a richiesta / Clamps and screws on request / Haltestücke und Schrauben auf Anfrage