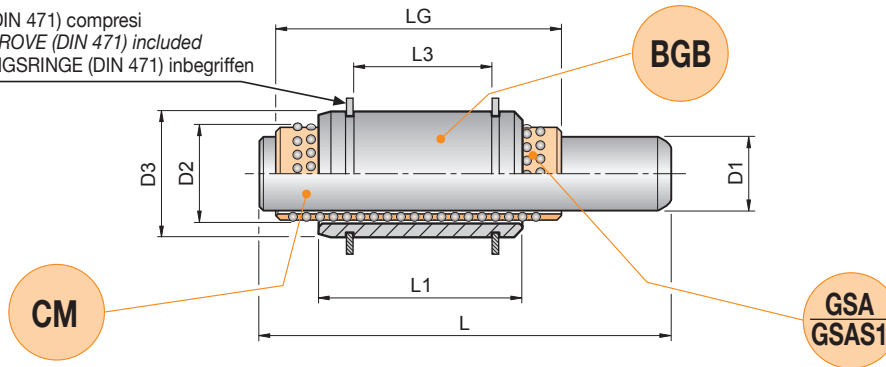


SEEGER (DIN 471) compresi
CIRCLIP GROVE (DIN 471) included
SICHERUNGSRINGE (DIN 471) inbegriffen



CM

COLONNA
PILLAR
FÜHRUNGSSÄULEN

Material: 100 Cr 6
Hardness: 60-64 HRC

GSA / GSAS1

GABBIA A SFERA
BALL CAGE
KUGELKÄFIGE

Material: Brass
Hardened Steel (DIN 5401)

BGB

BUSSOLA
BUSH
FÜHRUNGSBUCHSEN

Material: 100 Cr 6
Hardness: 60-64 HRC

Code	D1	L
CM330	3	30
CM3X		x
CM3X		x
CM360		60
CM430	4	30
CM4X		x
CM4X		x
CM460		60
CM540	5	40
CM5x		x
CM5x		x
CM5x		x
CM580		80
CM640	6	40
CM6x		x
CM6x		x
CM6x		x
CM6x		x
CM6x		x
CM680		80
CM850	8	50
CM8x		x
CM8x		x
CM8x		x
CM8x		x
CM8x		x
CM8100		100
CM1060	10	60
CM10x		x
CM10x		x
CM10x		x
CM10x		x
CM10120		120
CM1260	12	60
CM12x		x
CM12x		x
CM12x		x
CM12120		120

Code	D1	LG	D2
GSA310	3	10	5
GSA315		15	
GSA320		20	
GSA410	4	10	6
GSA415		15	
GSA420		20	
GSA510	5	10	7
GSA515		15	
GSA520		20	
GSA525		25	
GSA610	6	10	8
GSA615		15	
GSA620		20	
GSA625		25	
GSA630		30	
GSA810	8	10	10
GSA815		15	
GSA820		20	
GSA825		25	
GSA830		30	
GSA1015	10	15	12
GSA1020		20	
GSA1025		25	
GSA1030		30	
GSAS11220	12	20	14
GSAS11225		25	
GSAS11230		30	
GSAS11240		40	

Code	D2	L1	L3	D3
BGB510	5	10		7
BGB520		20		
BGB530		30		
BGB610	6	10		8
BGB620		20		
BGB630		30		
BGB720	7	20	10	10
BGB730		30	20	
BGB820	8	20	10	11
BGB830		30	20	
BGB840		40	30	
BGB1020	10	20	10	12
BGB1030		30	20	
BGB1040		40	30	
BGB1230	12	30	20	16
BGB1240		40	30	
BGB1250		50	40	
BGB1430	14	30	20	18
BGB1440		40	30	
BGB1450		50	40	