

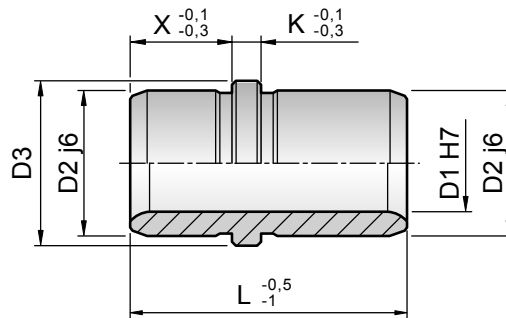
# B3

## EJECTOR GUIDE BUSH

FÜHRUNGSBUCHSE FÜR AUSWERFERPAKET | BUSSOLA SPALLATA



<b>Material:</b> 1.7131 <b>Hardness:</b> 61+63 HRC <b>Execution:</b> inner and outer diameter fine ground	STOCK		<b>HOW TO ORDER</b> <b>B3 * D1 * L (B31232)</b> <b>B3 * D1 * D2 * L (only for D1 20-25)</b>
---	-------	--	---



D1	D2	D3	K	X	L						
					32	40	50	65	70	80	90
12	18	22	5	16	•	•					
14	20	24			•	•					
16	22	26			•	•					
18	26	30			•	•					
20	28	32	6		•	•					
	30	34			•	•					
25	34	38	7		•	•					
	36	40			•	•					
32	40	45		25			•	•			
40	48	52	8	32				•		•	
50	60	65	10						•		•