

# B3B

## EJECTOR BRONZE GUIDE BUSH

FÜHRUNGSBUCHSE VOLLBRONZE FÜR AUSWERFERPAKET | BUSSOLA SPALLATA BRONZO INTEGRALE



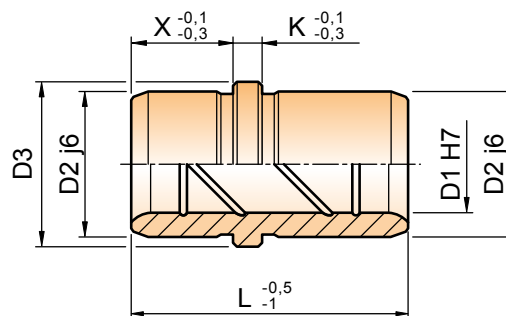
Material: bronze  
 Hardness: -  
 Execution: inner and outer diameter fine ground

STOCK



HOW TO ORDER

B3B \* D1 \* L (B3B1232)  
 B3B \* D1 \* D2 \* L (only for D1 20-25)



D1	D2	D3	K	X	L						
					32	40	50	65	70	80	90
12	18	22	5	16	•	•					
14	20	24			•	•					
16	22	26			•	•					
18	26	30			•	•					
20	28	32	6		•	•					
	30	34			•	•					
25	34	38	7		•	•					
	36	40			•	•					
32	40	45	8	25			•	•			
40	48	52		32				•		•	
50	60	65			10					•	