

AT

BUFFER PLATE FOR EJECTOR SET

ANSCHLAGSCHEIBE STÜTZSCHEIBE | APPOGGI TAVOLINO

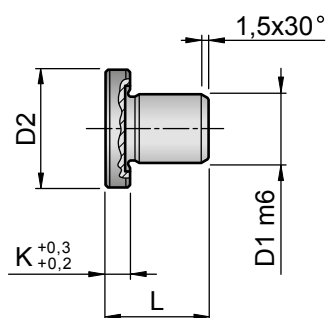


Material: 1.7131
 Hardness: 61÷63 HRC
 Execution: fine ground

STOCK



HOW TO ORDER
 AT * D1 (AT8)

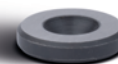


D1	D2	K	L
8	18	5	21
14	24		

ATF

SEATING WASHERS FOR EJECTOR SET

ANSCHLAGSCHEIBE | APPOGGI TAVOLINO

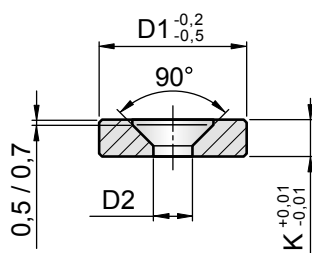


Material: 1.7131
 Hardness: 50÷52 HRC
 Execution: fine ground

STOCK



HOW TO ORDER
 ATF * D1 (ATF20)



D1	D2	K
20	5,3	5