

BEA

SELF-LUBE DEMOUNTABLE BUSH

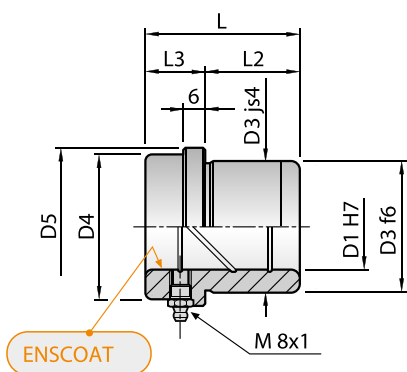
SELBSTSCHMIERENDE FÜHRUNGSBUCHSE MIT BUND | BUSSOLA ESTRAIBILE AUTOLUBRIFICANTE

ISO 9448-6

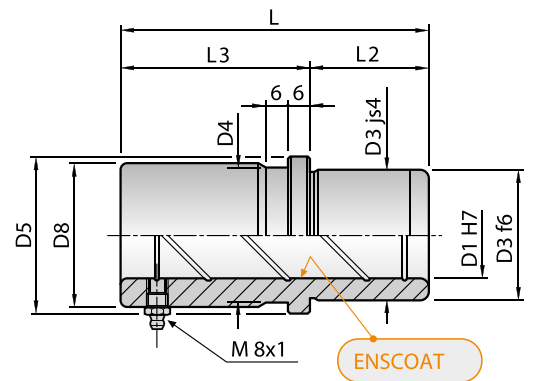
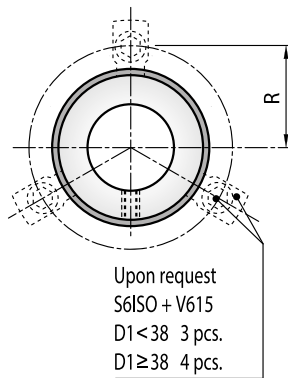


ENSCOAT

Material: 1.7131 Hardness: 61÷63 HRC Execution: inner diameter honed, ENSCOAT coated; D3 fine ground	STOCK	3D-CAD	HOW TO ORDER BEA * D1 * - * TYPE (BEA19-5)
--	-------	--------	--



TYPE 5



TYPE 1 - 4

D1	D3	D4	D5	D8	R	L	L2	L3	TYPE
19 - 20	32	32	40	---	26	35	23	12	5
				39		43		20	4
				59		59		36	1
24 - 25	40	40	48	---	30	35	30	12	5
				46		59		36	4
				79		79		56	1
30 - 32	48	48	56	---	33,5	42	30	12	5
				53		75		45	4
				93		93		63	1
38 - 40	58	58	66	---	38,5	52	37	15	5
				63		82		45	4
				108		108		71	1
48 - 50	70	70	80	---	45,5	65	47	18	5
				77		97		50	4
				127		127		80	1
60 - 63	85	85	95	---	53	80	60	20	5
				92		116		56	4
				150		150		90	1