

# BEAG

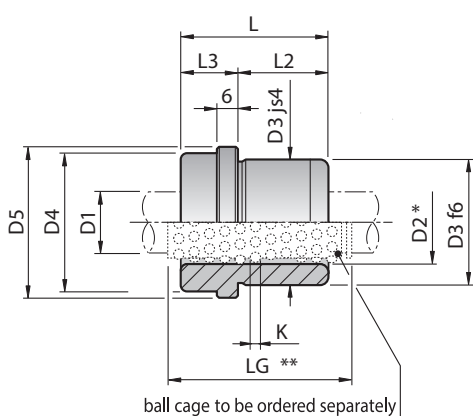
## DEMOUNTABLE BUSH FOR BALL CAGE

KUGELFÜHRUNGSBUCHSE MIT BUND | BUSSOLA ESTRAIBILE PER GABBIA A SFERE

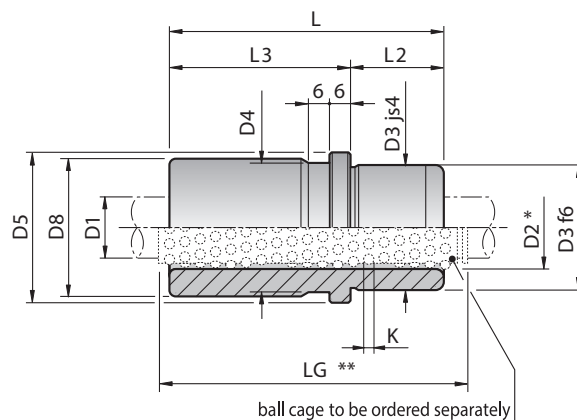
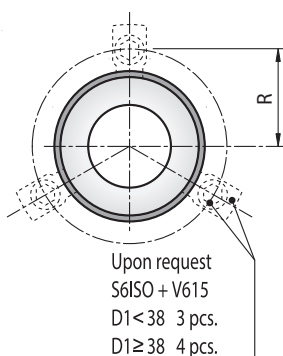
ISO 9448-7



|  |       |        |   |
|--|-------|--------|---|
| Material: 1.7131<br>Hardness: 61÷63 HRC<br>Execution: inner diameter honed; D3 fine ground | STOCK | 3D-CAD | HOW TO ORDER<br>BEAG * D1 * - * TYPE (BEAG19-7) |
|--|-------|--------|---|



**TYPE 7**



**TYPE 4 - 5 - 6 - 9**

\*  $D2 = D1 + 2K$

\*\* Suggested length for ball cage

| D1      | D3  | D4  | D5  | D8  | R    | L   | L2  | L3  | LG ** | K   | TYPE |
|---------|-----|-----|-----|-----|------|-----|-----|-----|-------|-----|------|
| 19 - 20 | 32  | 32  | 40  | --- | 26   | 35  | 23  | 12  | 45    | 3   | 7    |
|         |     |     |     | 39  |      | 43  |     | 20  | 56    |     | 6    |
|         |     |     |     | --- |      | 59  |     | 36  | 71    |     | 4    |
| 24 - 25 | 40  | 40  | 48  | --- | 30   | 35  | 30  | 12  | 45    | 3   | 7    |
|         |     |     |     | 46  |      | 55  |     | 25  | 71    |     | 9    |
|         |     |     |     | --- |      | 59  | 36  | 95  | 6     |     |      |
|         |     |     |     | --- |      | 79  | 56  | 95  | 4     |     |      |
| 30 - 32 | 48  | 48  | 56  | --- | 33,5 | 80  | 30  | 50  | 95    | 4   | 5    |
|         |     |     |     | 42  |      | 12  |     | 56  | 7     |     |      |
|         |     |     |     | --- |      | 69  | 32  | 80  | 9     |     |      |
|         |     |     |     | --- |      | 75  | 45  | 95  | 6     |     |      |
|         |     |     |     | --- |      | 93  | 63  | 120 | 4     |     |      |
| 38 - 40 | 58  | 58  | 66  | --- | 38,5 | 93  | 37  | 56  | 120   | 4   | 5    |
|         |     |     |     | 63  |      | 15  |     | 63  | 7     |     |      |
|         |     |     |     | --- |      | 79  | 32  | 95  | 9     |     |      |
|         |     |     |     | --- |      | 82  | 45  | 105 | 6     |     |      |
|         |     |     |     | --- |      | 108 | 71  | 120 | 4     |     |      |
| 48 - 50 | 70  | 70  | 80  | --- | 45,5 | 110 | 47  | 63  | 140   | 4   | 5    |
|         |     |     |     | 65  |      | 18  |     | 80  | 7     |     |      |
|         |     |     |     | --- |      | 96  | 36  | 120 | 9     |     |      |
|         |     |     |     | --- |      | 97  | 50  | 140 | 6     |     |      |
|         |     |     |     | --- |      | 127 | 80  | 140 | 4     |     |      |
| 60 - 63 | 85  | 85  | 95  | --- | 53   | 131 | 60  | 71  | 160   | 6   | 5    |
|         |     |     |     | 92  |      | 20  |     | 95  | 7     |     |      |
|         |     |     |     | --- |      | 116 |     | 56  | 140   |     | 6    |
| 80      | 105 | 105 | 118 | --- | 64,5 | 150 | 60  | 90  | 160   | 6   | 4    |
|         |     |     |     | --- |      | 80  |     | 20  | 120   |     | 7    |
|         |     |     |     | --- |      | 120 |     | 60  | 140   |     | 6    |
| ---     | --- | --- | --- | --- | ---  | 150 | --- | 90  | 160   | --- | 4    |