

B3M

EJECTOR GUIDE BUSH

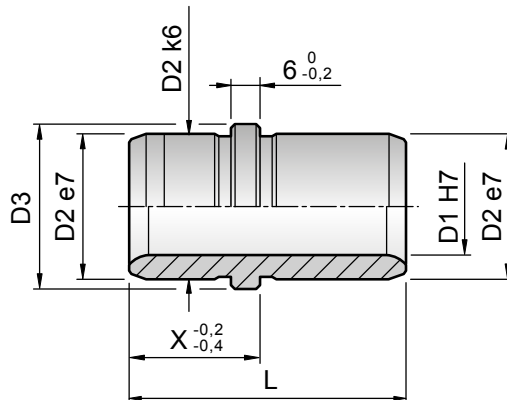
FÜHRUNGSBUCHSE FÜR AUSWERFERPAKET | BUSSOLA SPALLATA



Material: 1.7131
Hardness: 61÷63 HRC
Execution: inner and outer diameter fine ground



HOW TO ORDER
B3M * D1 * L (B3M1021)



D1	D2	D3	X	L											
				21	26	29	34	39	44	49	63	73	82		
10	14	17	12	◇											
			17		◇										
12	16	19	17		◇	◇									
			22			◇	◇								
14	18	21	17			◇									
			22			◇	◇								
18	24	27	17			◇									
			22			◇	◇								
			27					◇	◇						
20	26	29	22					◇							
			27							◇					
22	28	31	22					◇							
			27								◇				
24	30	33	22					◇							
			27						◇	◇					
			36									◇			
30	38	41	27								◇				
			36										◇		
40	48	51	46										◇	◇	
															◇