

BLAG

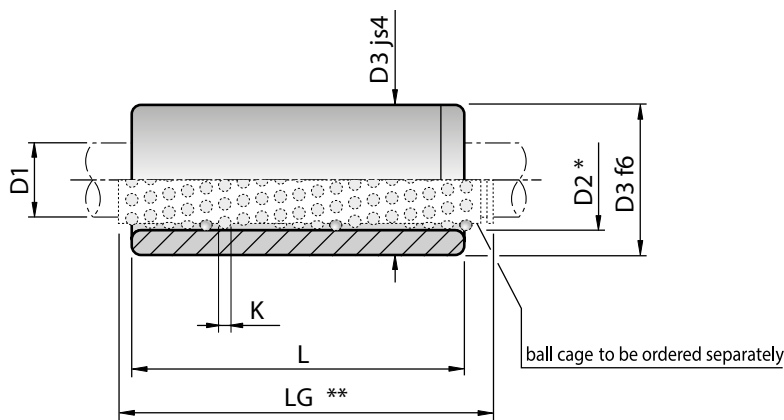
GUIDE BUSH FOR BALL CAGE

KUGELFÜHRUNGSBUCHSE | BUSSOLA LISCIA PER GABBIA A SFERE

ISO 9448-3



Material: 1.7131 Hardness: 61÷63 HRC Execution: inner diameter honed; outer diameter fine ground	• STOCK 	3D-CAD 	HOW TO ORDER BLAG * D1 * L (BLAG1223)
--	-------------	------------	---



* $D2 = D1 + 2K$

** Suggested length for ball cage

D1	D3	K	LG **	L									
				23	30	37	47	60	77	95	120		
12	22	2	30	◇									
			40		◇	◇							
15 - 16	28	3	45	•	•	•							
			56				•						
			71					•					
19 - 20	32	3	45	•	•	•							
			56				•						
			71					•					
24 - 25	40	3	95							•			
			45	•	•	•							
			56				•						
30 - 32	48	4	71						•				
			95							•			
			45		•								
			50			•							
			56				•						
			71					•					
			95							•			
			120								•		

to be continued.....

BLAG

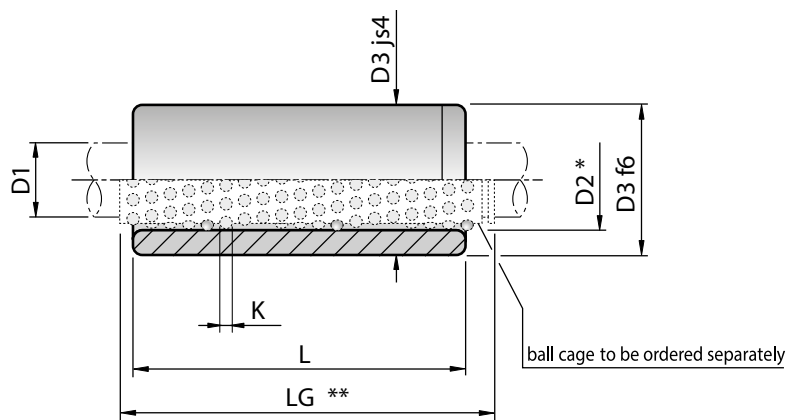
GUIDE BUSH FOR BALL CAGE

KUGELFÜHRUNGSBUCHSE | BUSSOLA LISCIA PER GABBIA A SFERE

ISO 9448-3



Material: 1.7131 Hardness: 61÷63 HRC Execution: inner diameter honed; outer diameter fine ground	• STOCK 	3D-CAD 	HOW TO ORDER BLAG * D1 * L (BLAG1223)
--	-------------	------------	---



* $D2 = D1 + 2K$

** Suggested length for ball cage

.....continue

D1	D3	K	LG **	L								
				23	30	37	47	60	77	95	120	
38 - 40	58	4	45		•							
			50			•						
			63				•					
			80					•				
			95						•			
			120								•	
48 - 50	70	4	50			•						
			63				•					
			80					•				
			95						•			
			120							•		
60 - 63	85	6	140					•	•			
			120							•		
			140								•	
80	105	6	140								•	
												•