

B1FG45

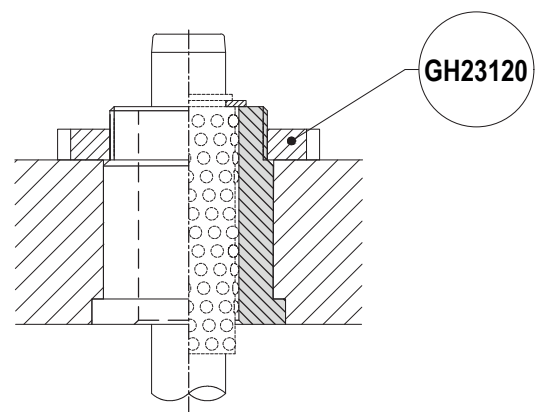
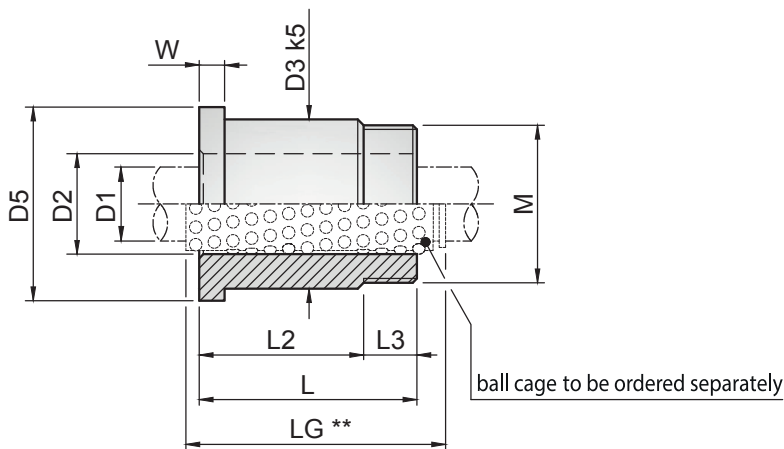
THREADED BUSH FOR BALL CAGE

KUGELFÜHRUNGSBUCHSE MIT GEWINDE | BUSSOLA FILETTATA PER GABBIE A SFERA

~ AFNOR



| | | |
|--|------------|---|
| Material: 1.7131 Hardness: 61 ÷ 63 HRC Execution: inner diameter honed; D3 fine ground | DAYS 12 | HOW TO ORDER B1FG45 * D1 * L (B1FG451616) |
|--|------------|---|



** Suggested length for ball cage

| D1 | D2 | D3 | D5 | W | M | L | L2 | L3 | LG ** |
|----|----|----|----|-------|-------|----|----|----|-------|
| 16 | 22 | 28 | 32 | 3 | M27x1 | 16 | 11 | 5 | 25 |
| | | | | | | 20 | 15 | | 31 |
| 20 | 26 | 32 | 36 | | M30x1 | 17 | 11 | 6 | 25 |
| | | | | | | 21 | 15 | | 31 |
| 25 | 31 | 40 | 45 | | M39x1 | 25 | 19 | 7 | |
| | | | | | | 22 | 15 | | |
| 32 | 40 | 50 | 56 | M48x1 | 26 | 19 | 7 | | 40 |
| | | | | | 31 | 24 | | | |
| 40 | 48 | 63 | 70 | 4 | M48x1 | 26 | 19 | 8 | 50 |
| | | | | | | 31 | 24 | | |
| 40 | 48 | 63 | 70 | M60x1 | 38 | 31 | 8 | 56 | |
| | | | | | 32 | 24 | | | |
| 50 | 58 | 80 | 90 | 5 | M60x1 | 39 | 31 | 10 | 50 |
| | | | | | | 47 | 39 | | |
| 50 | 58 | 80 | 90 | M76x1 | 41 | 31 | 10 | 50 | |
| | | | | | 49 | 39 | | | 63 |