

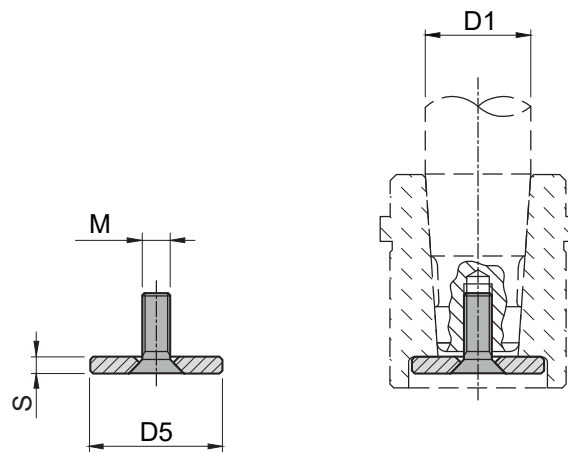
RC5A

WASHER FOR CONICAL PILLAR

HALTESCHEIBE FÜR KONISCHE FÜHRUNGSSÄULE | RONDELLA PER COLONNA CONICA



Material: 1.7131 Hardness: - Execution: -	STOCK	3D-CAD 	HOW TO ORDER RC5A * D5 (RC5A22)
---	-------	------------	------------------------------------



D1	D5	S	M
19 - 20	22	3	M6
24 - 25	25		M8
30 - 32	32	5	M10
38 - 40	40		M12
48 - 50	50	6	
60 - 63	63		