

# GHF7348

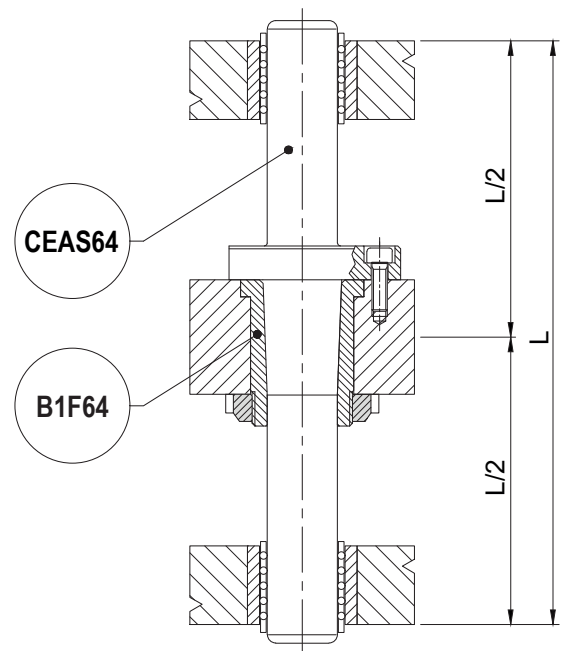
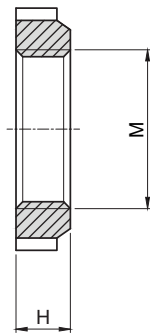
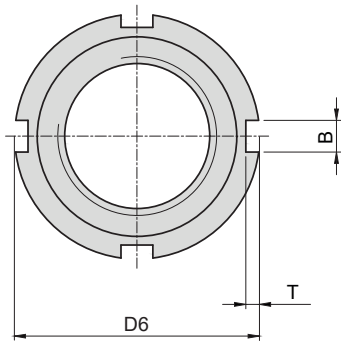
NUT  
NUTMUTTER | GHIERA  
DIN 1804



Material: steel  
Hardness: -  
Execution: -



HOW TO ORDER  
CODE (GHF7348M35)



CODE	D6	B	T	H	M	SLOTS
GHF7348M35	55	7	3	11	M35x1,5	4
GHF7348M40	62	8	3,5	12	M40x1,5	
GHF7348M50	75	8		13	M50x1,5	6